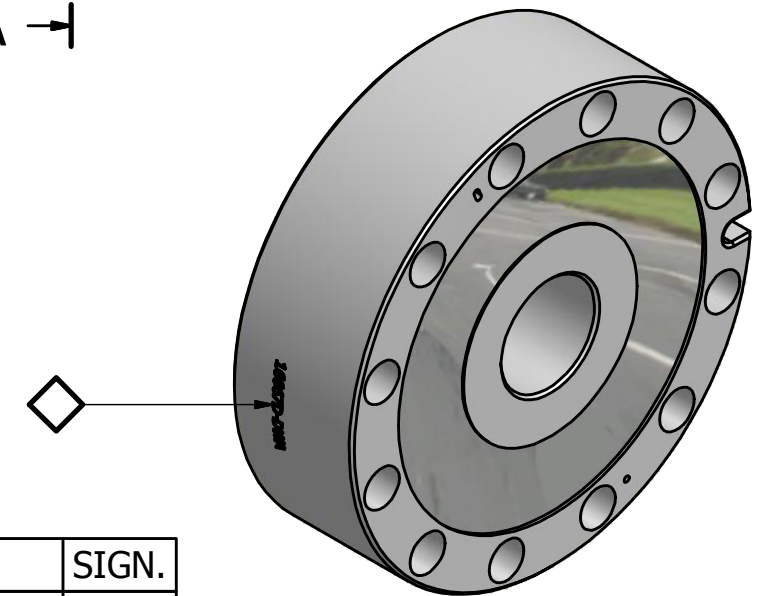
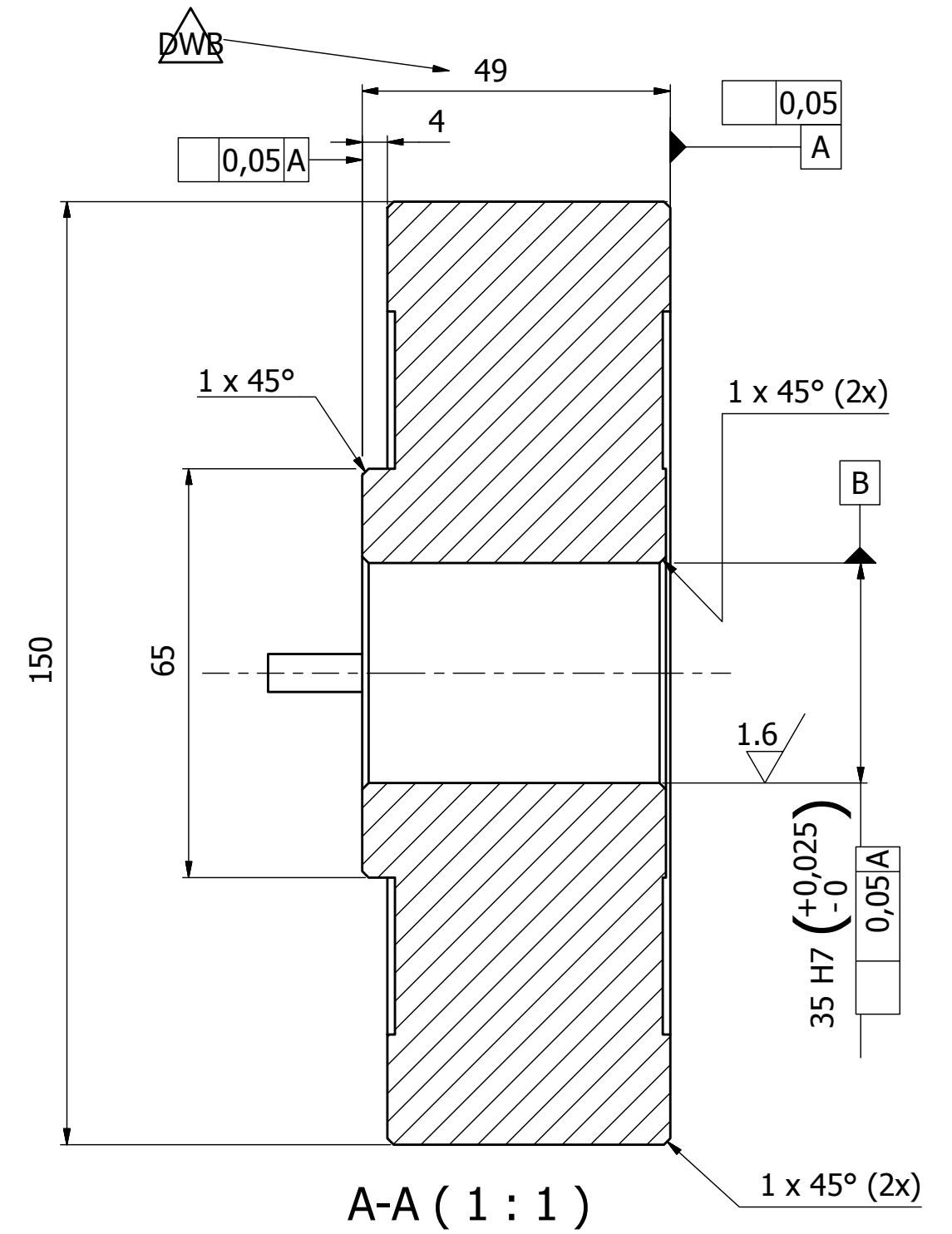
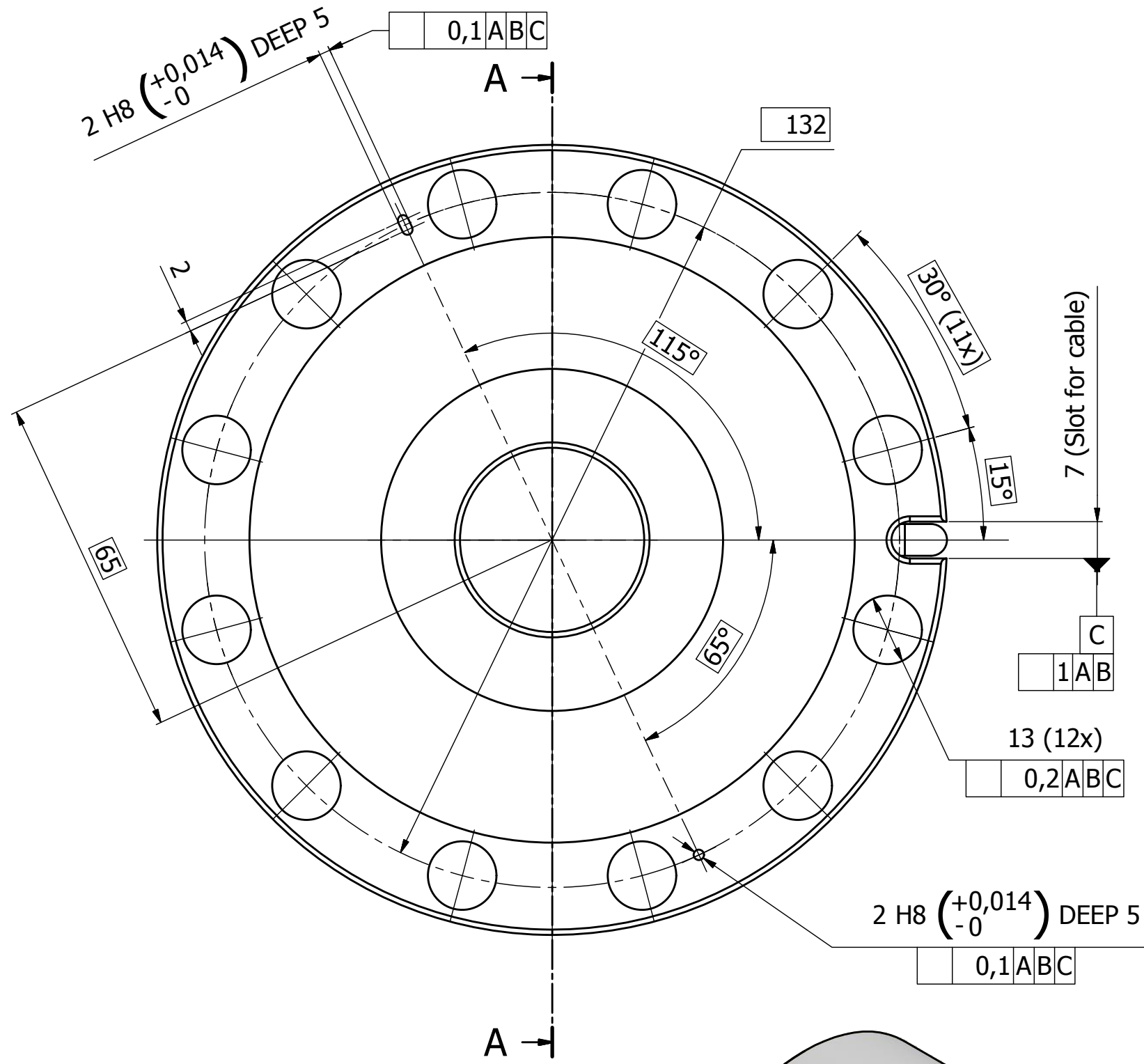


DO NOT SCALE!  
If in doubt, please ask



General surface roughness:  $\sqrt{3,2}$

◇ Marked with: 16667D - DWB  
Method: Laser Engraved  
Size: 3mm

Cable: Super flex cable for cable chain with bending radius 20mm

REV.	MODIFICATION	DATE	SIGN.
DWB	Previous height 41	2015-01-21	DHY

1	1	Vetek AB, PA6181 50ton			
ITEM	QTY	DESCRIPTION		MATERIAL	NOTE
Designed by	Date	Checked by	Approved by	Date	Scale
DHY	2014-12-14				
				E8	
				Load Cell	
Lifting Head				General Tolerances:	
Format				Revision	
A3				DWB	
Part no				Sheet	
16667D				1 / 1	

Unless otherwise stated:  
Sharp edges broken

EN-ISO-2768-1-mK  
EN-ISO-13920-A