



MANUAL CRANE SCALE OCS

Models: OCS - A, OCS - B and OCS - C

Before using, please carefully read this usage manual.



MODEL A, B



MODEL G

CONTENTS

The safety guides	2
Product features	2
Product specification	3
Electronic diagram	3
Structure and dimension	4
Operation guide	5
Display illustration	6
Warnings	6
Trouble shooting	7
Remote controller guide	7

Before using, please carefully read this usage manual.

THE SAFETY GUIDES

Please read through the following instruction and advice before using crane scale.

- Overloading is harshly prohibited
- Long-time loading will decrease the accuracy and shorten the life of the scale
- Before using, please check the battery voltage and recharge in time
- Before using, please check the safety between hook, shackle and junction parts
- Do not try to repair the crane scale by yourself
- Use dedicated charger only

PRODUCT FEATURES

Excellent Quality: Strictly in accordance with OIML R76 and European directives

High Safety: Aluminum casting case, highly firmed hook and shackle, special load cell for safety installation.

Strong Reliability: High quality components on PCB to insure long time stability.

Broad Applicability: 56mm high character display, 30m distance in sight, widely used in storage industry, textile industry, metallurgy industry etc.

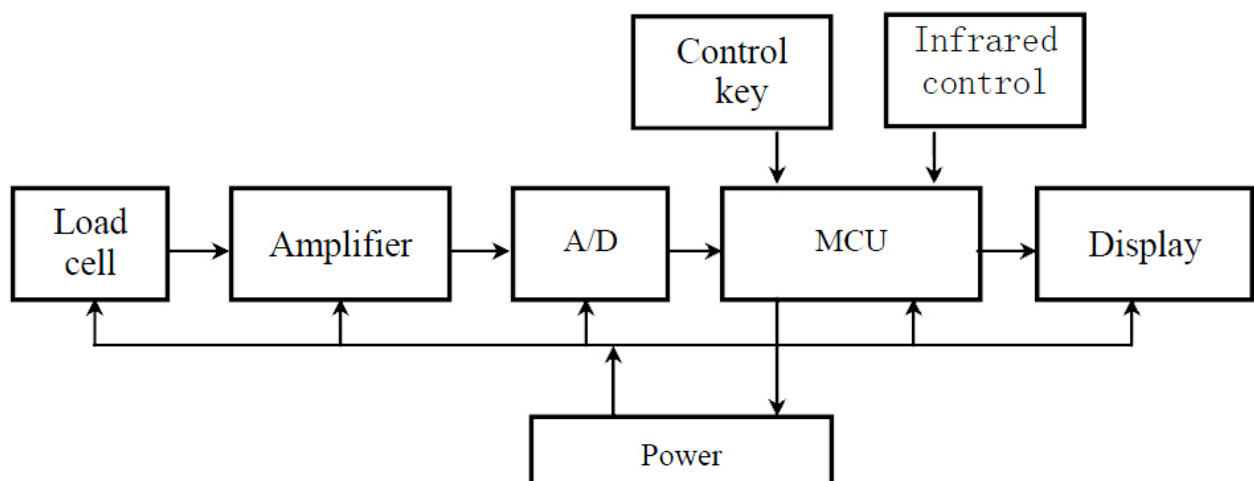
Simply Operation: Automatic low battery check, electricity energy saving, power off and overloading alarming, wireless remote controller and dedicated charger

Complete function: Kg/Lb conversion, hold, tare, division option, stability regulation, accumulation/query, gross/net weight, remote power off etc.

PRODUCT SPECIFICATIONS

STANDARD:	GB/T11883-2002 (ELECTRONIC CRANE SCALE)
Accuracy Class:	Similar to OIML III
Division NO.:	3000
Display:	56mm 5 digits LED/LCD
Zero Range:	4%F.S.
Tare Range:	100%F.S.
Stable Reading Time:	<10 S
Overload Indication:	100%F.S.+9e
Safety Load:	125%F.S.
Ultimate Load:	400%F.S.
Battery Life:	≥50 hours
Power:	6V/10Ah rechargeable sealed acid-lead batteries. 150 x 50 x 90 mm
Battery Charger:	DC9V/1.5A
Remote Controlling Distance:	≥ 10 m
Batteries of Remote Controller:	AAA Batteries x 2pcs
Operation Temperature:	-10°C - +40°C
Operation Humidity:	≤90%RH under 20°C

ELECTRONIC DIAGRAM



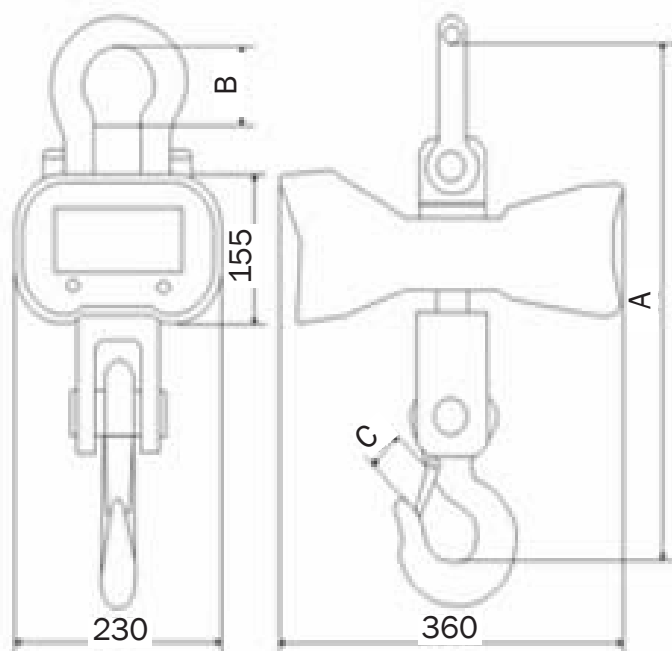
STRUCTURE AND DIMENSION

OCS-A/B

MODEL	A(MM)	B(MM)	C(MM)	NW (KG)
OCS 0.5 t	420	65	35	12
OCS 1 t	420	65	35	12
OCS 2 t	420	65	35	12
OCS 3 t	600	80	45	14
OCS 5 t	730	100	55	24
OCS 10 t	850	120	70	44
OCS 15 t	900	140	70	60
OCS 20 t	900	140	70	60

OCS-G (FOR STEEL INDUSTRY))

MODEL	A(MM)	B(MM)	C(MM)	NW (KG)
OCS 1 t	600	80	45	18
OCS 2 t	600	80	45	18
OCS 3 t	730	100	55	28
OCS 5 t	850	120	70	48
OCS 10 t	850	130	70	64
OCS 15 t	900	140	70	68



OPERATION GUIDE

TURNING ON

Press button [OFF/ON] on the scale, display as below sequence::

[88888]	(display self testing)
[3000]	(max. capacity)
[U6.30]	(current battery voltage)
[----]	(waiting stable signal)
[0]	("STB" lights up, ready for operation)

ZERO

Press button [ZERO] on the scale, or press key [0] on the controller

TARERING

Press button [TARE] on the scale, or press key [0] on the controller.

WEIGHT HOLDING

Tryck in knappen [HOLD] på fjärrkontrollen.

LOW POWER WARNING

If the voltage is less than 5.8V, the display will flash until indicate "-LB-" and power off automatically in 1 minute. The battery recharging is needed.

OVERLOADING WARNING

When weight more than 100%F.S.+9e, the display indicate "-OL-". Removing object is necessary.

POWER SAVING

When no weight changed, " - " shows up until weights changed, or power off in 60 minutes

RECHARGING BATTERY

1. Turn off the scale. Connect the adaptor to AC power supply and plug the connector into the socket in the rear of scale. When the indicator turns from green to red, charging is over
2. If the scale needs to work non-stop, take off the dead battery and replace it with a full one, Recharging the dead battery separately

ATTENTION: Normally, recharging time should not exceed 8 hours. However, long time charging will not damage the battery.

TURNING OFF

Press key [OFF/ON] on the scale for 3 seconds, or press [OFF] on the controller for 3 seconds, display as below sequence:

[U6.30] (current battery voltage)
[OFF] (display 2 seconds before power off)

ATTENTION: When no weight changed, it power off in 60 minutes automatically.

DISPLAY ILLUSTRATION

DISPLAY	ILLUSTRATION
[----]	Waiting stable signal
[Err10]	Accumulated weight doesn't exceed Min. Capacity
[Err11]	Accumulated times exceed 30times
[Err12]	Accumulated weight exceed 99999
[Err13]	Accumulated repeated (multi accumulation is not allowed)
[CLr]	Confirm accumulation clearance
[noCLr]	Cancel accumulation clearance
[88888]	Confirm accumulation deletion
[noACC]	No accumulation
[SHIFt]	Switch to other mode
[U6.30]	Battery voltage
[SCALE]	Calibration
[SETUP]	Parameter setting
[UAdJ]	Battery adjustment
[-OL-]	Overload warning
[-Lb-]	Power saving mode
[-]	Batterisparläge
[End]	End
[OFF]	Power off

WARNINGS

1. For good performance and precise measurement, be careful with daily operation and maintenance.
2. Rotate the loading object rather than the scale if needed
3. Don't use the scale under thunder or rain
4. Check the clips, pins and screws regularly
5. When battery is out of power or battery indicator turns red, check the battery and replace it with a full one.
6. When scale is disengaged, hang it on special shelf in dry and well-ventilated room.
Put the scale on the ground is not suggested.

TROUBLE SHOOTING

PROBLEM	POSSIBLE CAUSE	SOLUTION
No display when power on	Battery is damaged	Check battery
No display when power on	Battery is not connected	Reconnect the battery
Display flashes	Low battery power	Recharge the battery
Can not turn on off	[OFF/ON] button damaged	Check & clean the button
Can not zero	[ZERO] button damaged	Check & clean the button
Can not tare	[TARE] button damaged	Check & clean the button
Recharging indicator does not light	Defective adaptor	Check the adaptor
Recharging indicator does not light	The adaptor isn't connected well	Check the plug
Unstable display	The load is in motion	Keep the load object stable
Unstable display	Overloaded or defective loadcell	Check and replace load cell
Unstable display	Scale is damp	Keep the scale in dry environment
The display doesn't show "0" when nothing is loaded	Load cell is not ready to work	Wait 3-5 minutes after powering on
The display doesn't show "0" when nothing is loaded	Improper placement of scale	Scale should be hung up
Weighing value in big error	Improper operation	Make the hook flexible against off-axis loading
Battery can not recharge	Defective battery	Replace battery
Battery can not recharge	Defective recharge connector	Replace the connector
Short remote distance	Receiver is too dirty	Check and clean it
Short remote distance	Low battery power of controller	Replace controller battery.

REMOTE CONTROLLER GUIDE

BRIGHTNESS OPTION

OPERATION	ILLUSTRATION
[F1]	0~5 levels, 0: no display, 1: Min bright, 5: Max bright (Default: 3)

ZERO

OPERATION	ILLUSTRATION
[ZERO]	Set '0' when empty load

HOLD

OPERATION	ILLUSTRATION
[HOLD]	Hold the weight, HOLD lights on. Press it again to resume

TARE

1. TARE DIRECTLY

OPERATION	ILLUSTRATION
[TARE]	TARE light on, display net weight. Press it again to return gross weight

2. SET TARE

OPERATION	ILLUSTRATION
[MR] [TARE]	Display current tare value
[M+] [TARE]	Modify tare value
[ZERO] [CLEAR]	Input the tare value
[MR]	Exit, TARE light on. Display weight without tare upon weighing

ACCUMULATION

1. ACCUMULATION

OPERATION	ILLUSTRATION
[M+]	[No***] Current accumulation times
	[H****] High 4-digits of current accumulated value
	[L****] Low 4-digits of current accumulated value

ATTENTION:

1. Accumulation value will display twice before the scale return to weigh mod automatically, Or press [MR] to return directly
2. Total accumulation = H xxxx + L xxxx (E.g: H2244 + L5566 = 22445566)
3. Query

OPERATION	ILLUSTRATION
[MR] [M+]	[No***] Current accumulation times
	[*****] Current weight
	[H*****] Rear four digit of current accumulated value
	[L*****] Front four digit of current accumulated value
	[0] Return to weight

ATTENTION:

1. Press [TARE] [ZERO] query weight and accumulated value
2. press [MR] return.

CLEAR

OPERATION	ILLUSTRATION
[CLEAR] [CLr]	Confirm accumulation clearance
[CLEAR] [noCLr]	Cancel accumulation clearance

ZERO DISPLAY

OPERATION	ILLUSTRATION
[MR] [ZERO]	Display current zero value

OVERLOAD QUERY

OPERATION	ILLUSTRATION
[MR] [CLEAR]	Display overloading times

VOLTAGE DISPLAY

OPERATION	ILLUSTRATION
[MR] [F1]	Display battery voltage

POWER OFF

OPERATION	ILLUSTRATION
[OFF]	Display battery voltage and power off